



# ESMOS

MACHINES FOR AN ORDERLY FUTURE

## Granulators Series MINI

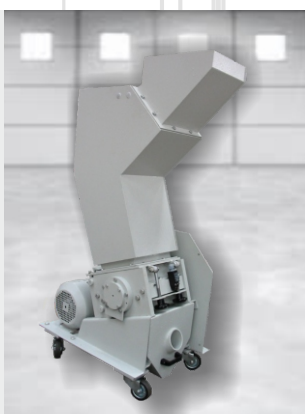
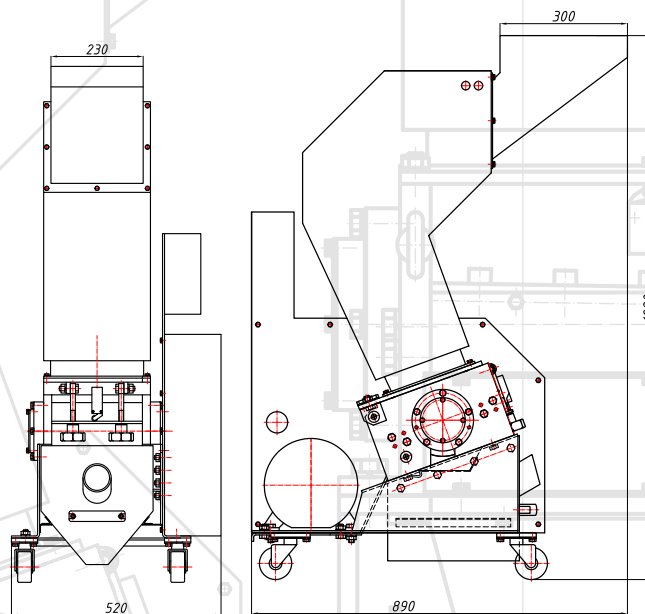


ESMOS 74 Kiril and Metodiy Str. 5900 Levski, Bulgaria  
T: +359884677984 Fax: 065082317 [www.esmos-ad.com](http://www.esmos-ad.com) E: [office@esmos-ad.com](mailto:office@esmos-ad.com)



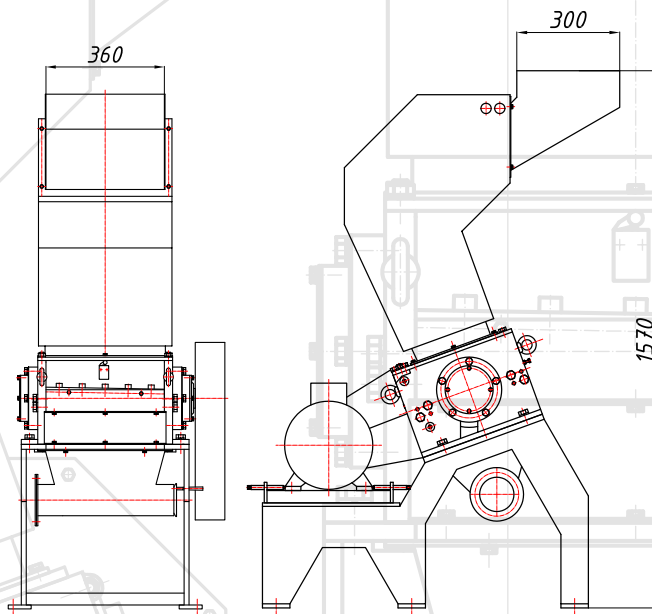
# Granulator M170/225

Technical data	M 170 / 225
Productivity, kg/h	50
Motor, kW	2,2/4
Rotor nb./ mm	170
Rotor knives	9x75
Stator	Two rows
Stator knives, pcs. mm	2x225
Screen holes, mm	4 mm - 20 mm
Length, mm	890
Height, mm	1280
Width, mm	520
Weight, kg	220
Bearings	FAG or SKF or ZKL
Manufacturing time, weeks	4\6



# Granulator M220/360

Technical data	M 220 / 360
Productivity, kg/h	180
Motor, kW	5,5/15
Rotor nb./ mm	220
Rotor knives	3x360
Stator	Two rows
Stator knives, pcs. mm	2x360
Screen holes, mm	from 4 mm - 20 mm
Lenght, mm	800
Height, mm	1600
Width, mm	1300
Weight, kg	300
Bearings	FAG or SKF or ZKL
Manufacturing time, weeks	4\6







Contact us

ESMOS Ltd.

74 Krili and Metodiy Str.  
5900 Levski,  
Bulgaria

T: +359884677984

E: [office@esmos-ad.com](mailto:office@esmos-ad.com)

F: 065082317